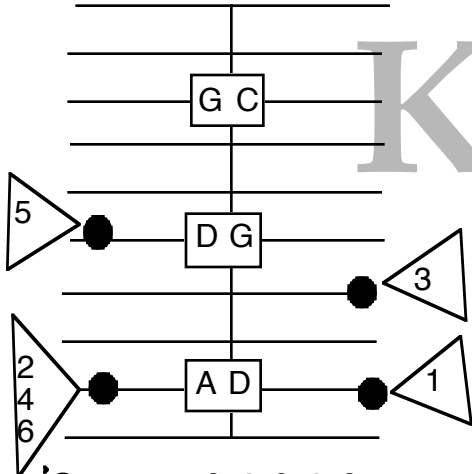


3/4 Time

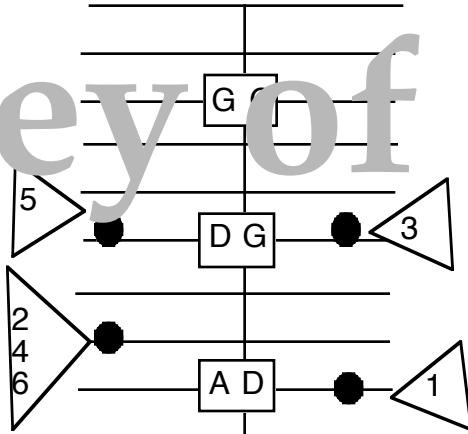
Key of D

I D chord (D F# A)



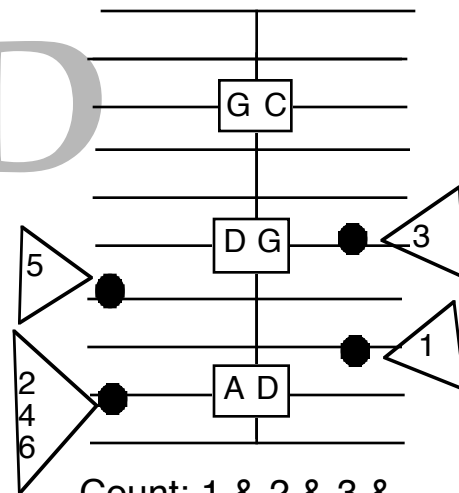
Count: 1 & 2 & 3 &

IV G chord (G B D)



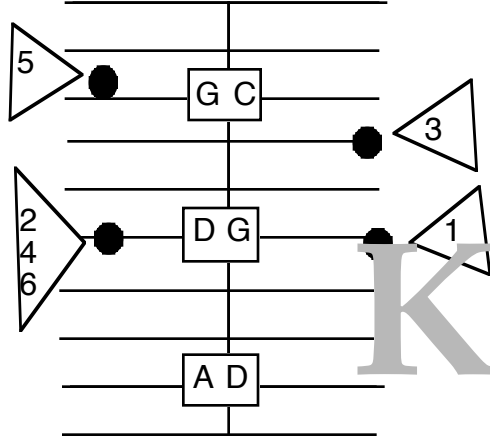
Count: 1 & 2 & 3 &

V7 A7 chord (A C E G)



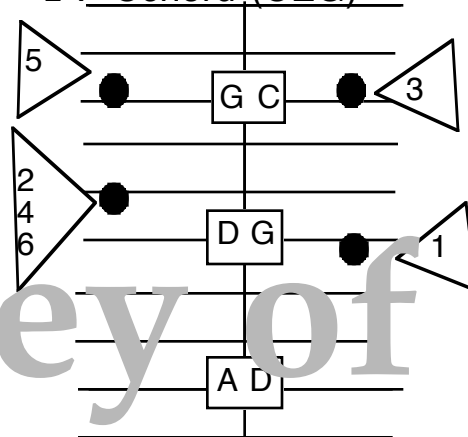
Count: 1 & 2 & 3 &

I G chord (GBD)



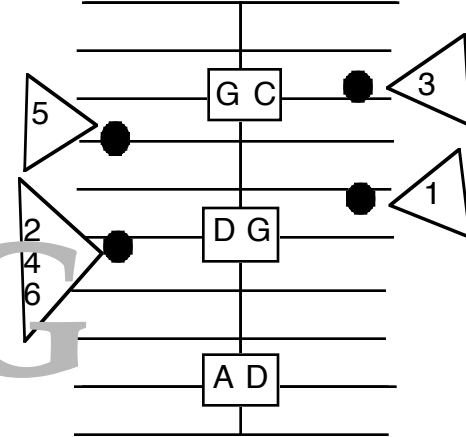
Count: 1 & 2 & 3 &

IV C chord (CEG)



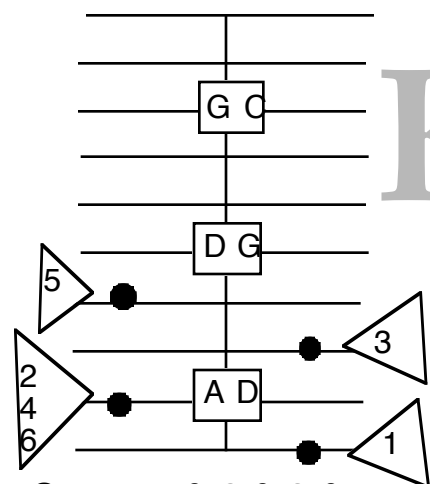
Count: 1 & 2 & 3 &

V7 D7 chord (DF#AC)



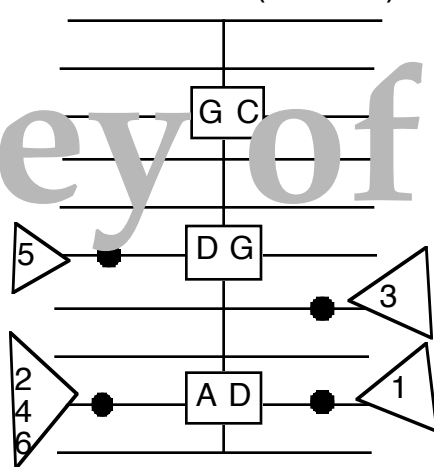
Count: 1 & 2 & 3 &

I A chord (AC#E)



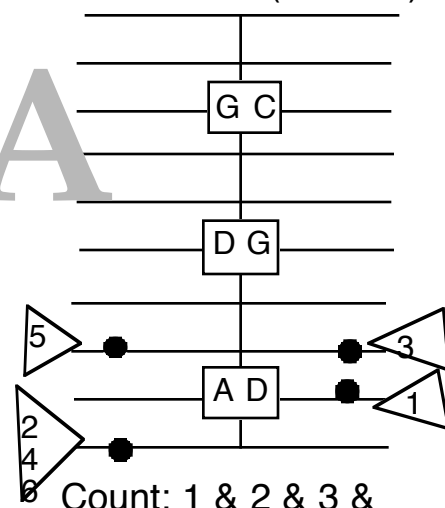
Count: 1 & 2 & 3 &

IV D Chord (D F# A)



Count: 1 & 2 & 3 &

V7 E7 chord (EG#BD)



Count: 1 & 2 & 3 &