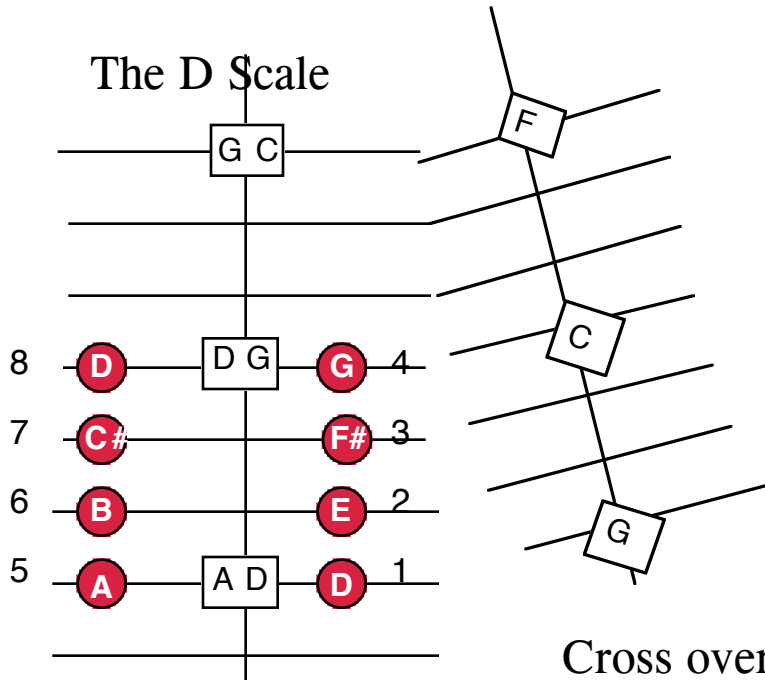


The D Box



Play the D Scale:

Start on **D** (1)

then play **E** (2)

F# (3)

G (4)

on the **RIGHT** side of
TREBLE BRIDGE

Cross over to **LEFT SIDE** and play

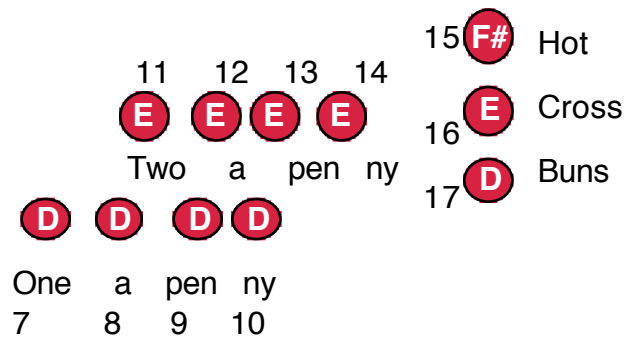
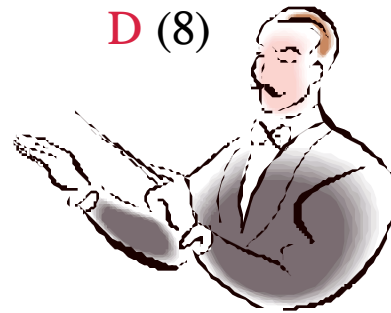
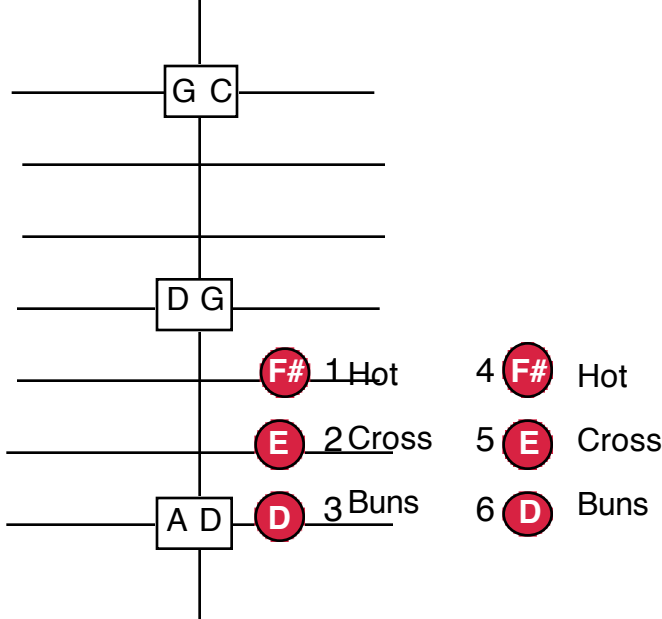
A (5)

B (6)

C# (7)

D (8)

Hot Cross Buns



Play these notes for Hot Cross Buns

F# - E - D - - F# - E - D - - D D D D E E E E F# - E - D